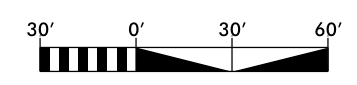
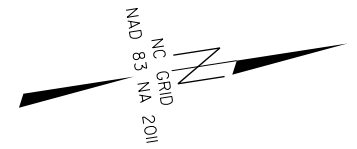


-EL-		
PI Sta 15+99.69	PI Sta 17+94.50	PI Sta 19+40.22
$\Delta = 9' 45' 48.3" (LT)$	$\Delta = 29' 29' 59.0" (LT)$	$\Delta = 9' 37' 46.4" (LT)$
$D = 5' 08' 19"$	$D = 15' 04' 40.2"$	$D = 9' 37' 46.4"$
$L = 190.00'$	$L = 195.65'$	$L = 100.00'$
$T = 95.23'$	$T = 100.04'$	$T = 50.12'$
$R = 1115.00'$	$R = 380.00'$	$R = 595.00'$
SE = EXIST.	SE = EXIST.	SE = EXIST.
RUNOFF = EXIST.	RUNOFF = EXIST.	RUNOFF = EXIST.

-Y-	
PI Sta 12+27.57	
$\Delta = 9' 14' 20.0" (RT)$	
$D = 5' 16' 44"$	
$L = 175.00'$	
$T = 87.70'$	
$R = 1,085.37'$	

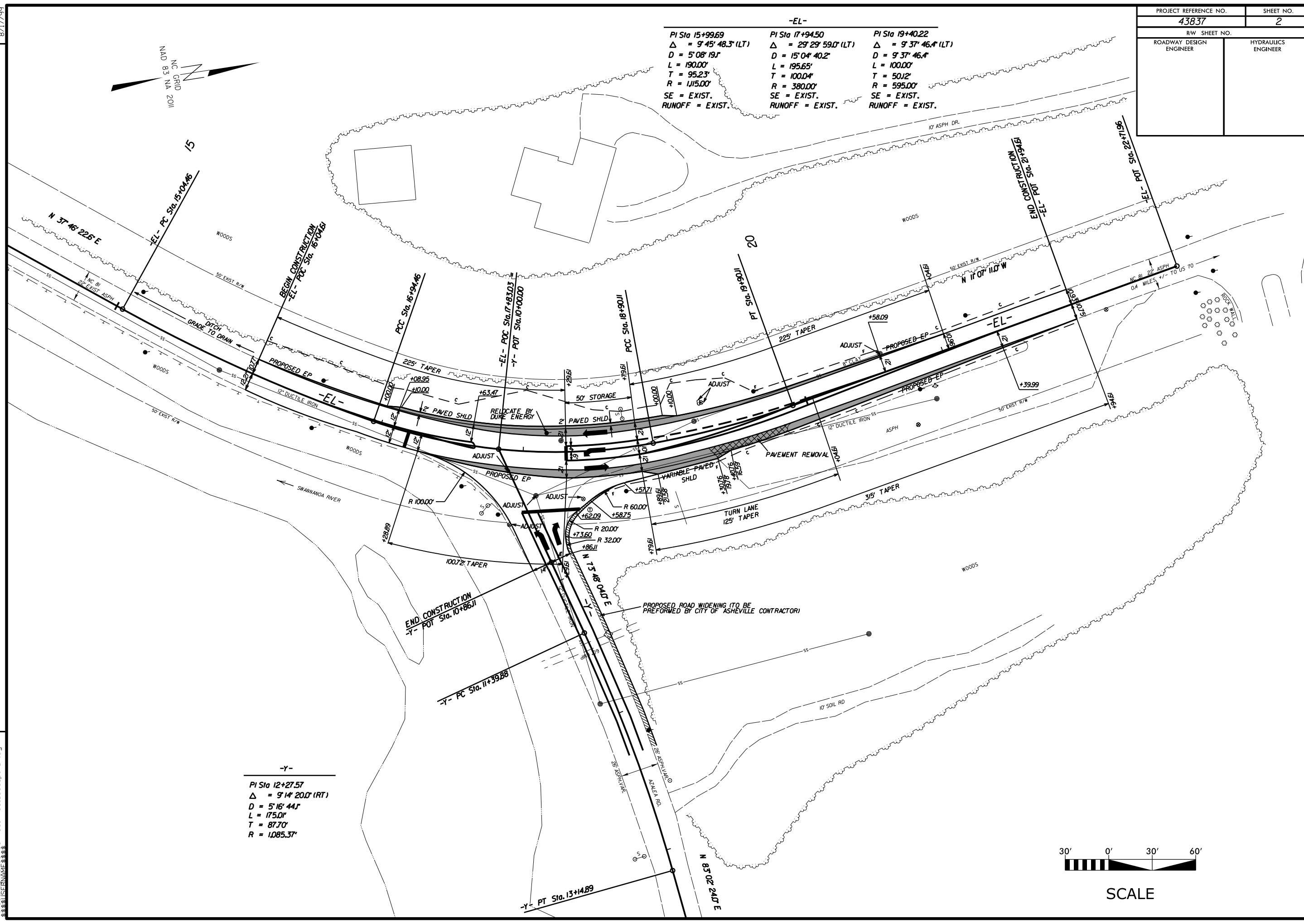


SCALE

REVISIONS

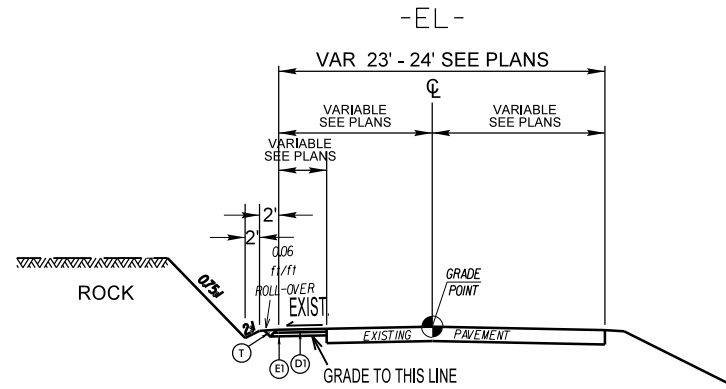
8/17/99

21-JAN-2014 11:53  
 S:\PROJECTS\43837\43837.dwg  
 S:\PROJECTS\43837\43837.dwg



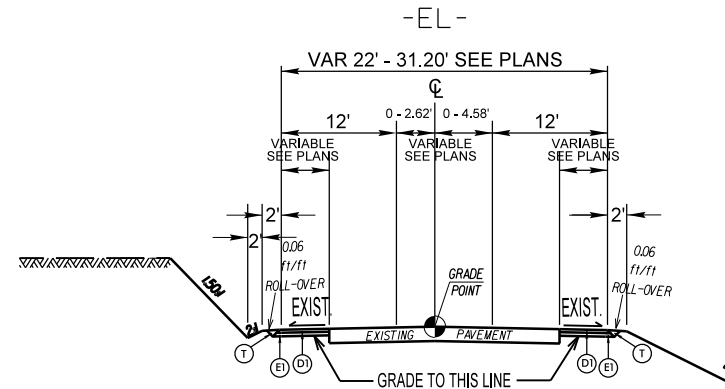
NOTE: FINAL SURFACE WILL BE PLACED BY ANOTHER CONTRACT ON LINE -EL-

PROJECT REFERENCE NO.	SHEET NO.
43837	1
ROADWAY DESIGN ENGINEER	PAVEMENT DESIGN ENGINEER



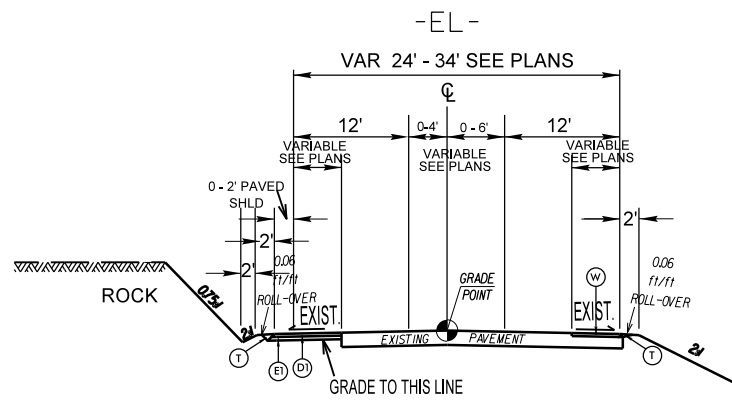
**TYPICAL SECTION NO. 1**

FROM -EL- STA. 16+04.61 TO 17+00.00



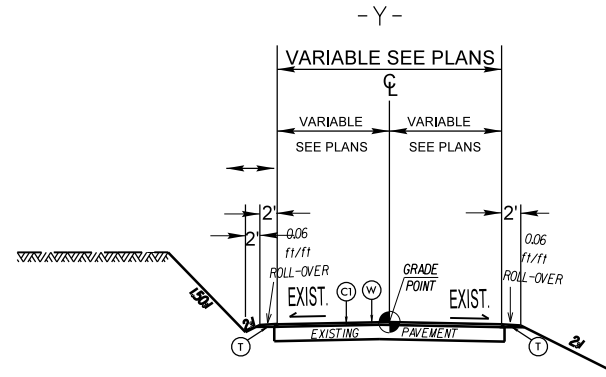
**TYPICAL SECTION NO. 4**

FROM -EL- STA. 19+30.76 TO 21+94.61



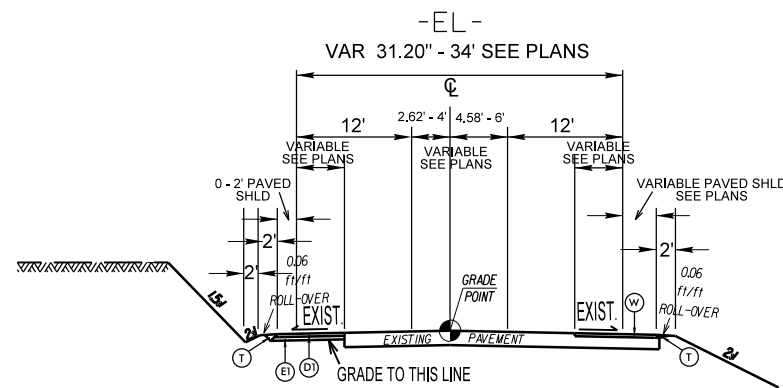
**TYPICAL SECTION NO. 2**

FROM -EL- STA. 17+00.00 TO 18+79.61



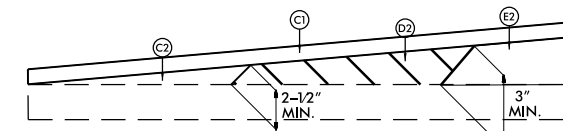
**TYPICAL SECTION NO. 5**

FROM -Y- STA. 10+00.00 TO 11+39.88



**TYPICAL SECTION NO. 3**

FROM -EL- STA. 18+79.61 TO 19+30.76



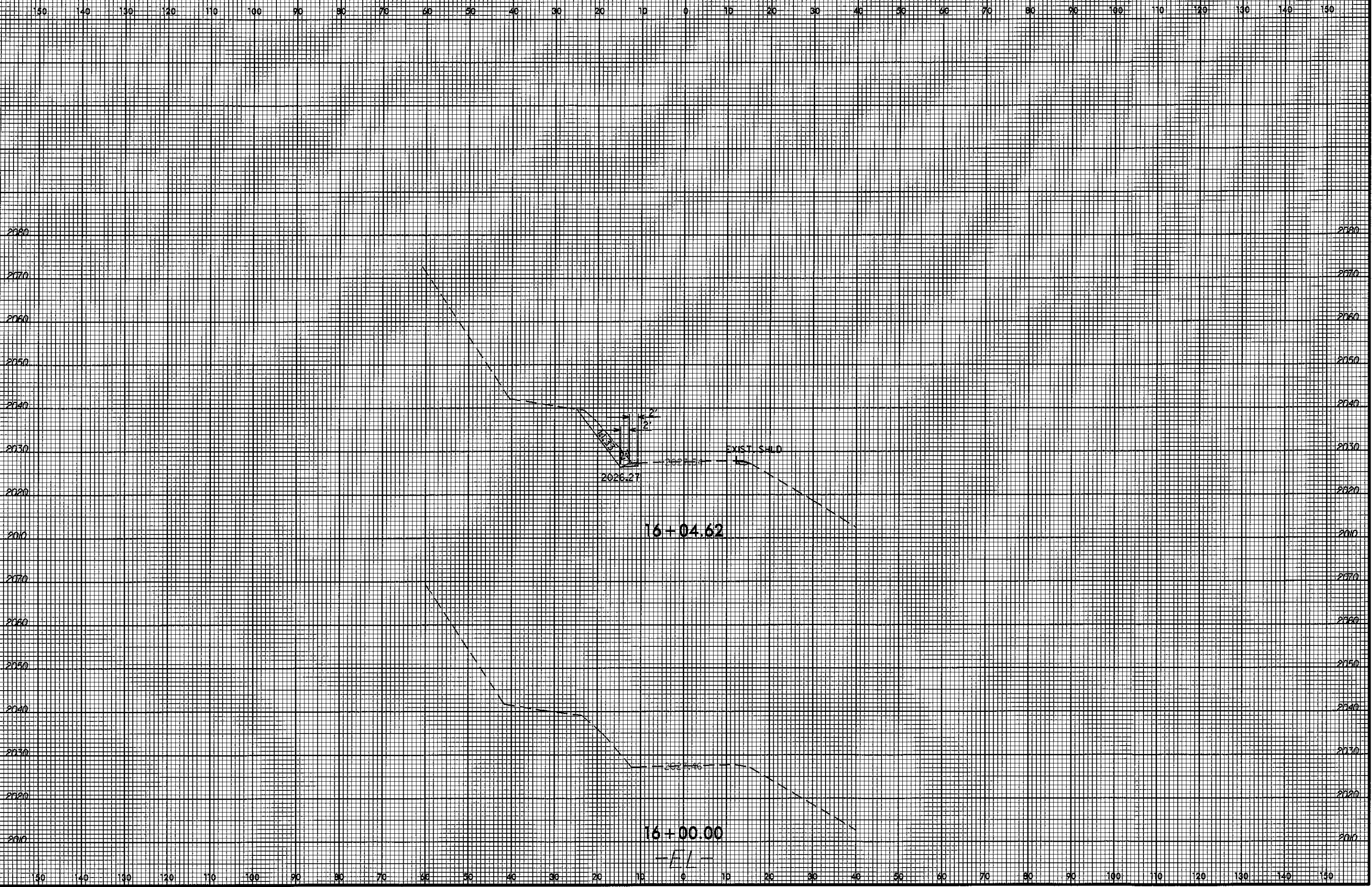
**Wedging Detail For Resurfacing**

PAVEMENT SCHEDULE	
C1	PROP. APPROX. 1 1/2" ASPHALT CONCRETE SURFACE COURSE TYPE S9.5B. AT AN AVERAGE RATE OF 168 LBS. PER SQ.YD.
C2	PROP. VAR. DEPTH ASPHALT CONCRETE SURFACE COURSE. TYPE S9.5B. AT AN AVERAGE RATE OF 112 LBS. PER SQ. YD. PER 1" DEPTH. TO BE PLACED IN LAYERS NOT TO EXCEED 2" IN DEPTH.
D1	PROP. APPROX. 3" ASPHALT CONCRETE INTERMEDIATE COURSE TYPE I19.0B. AT AN AVERAGE RATE OF 342 LBS. PER SQ.YD.
D2	PROP. VAR. DEPTH ASPHALT CONCRETE INTERMEDIATE COURSE. TYPE I19.0B. AT AN AVERAGE RATE OF 114 LBS. PER SQ. YD. PER 1" DEPTH. TO BE PLACED IN LAYERS NOT LESS THAN 2 1/2" IN DEPTH OR GREATER THAN 4" IN DEPTH.
E1	PROP. APPROX. 5" ASPHALT CONCRETE BASE COURSE TYPE B25.0B. AT AN AVERAGE RATE OF 570 LBS. PER SQ.YD.
E2	PROP. VAR. DEPTH ASPHALT CONCRETE BASE COURSE. TYPE B25.0B. AT AN AVERAGE RATE OF 114 LBS. PER SQ. YD. PER 1" DEPTH. TO BE PLACED IN LAYERS NOT LESS THAN 3" IN DEPTH OR GREATER THAN 5 1/2" IN DEPTH
T	EARTH MATERIAL

6/2/99

21-JAN-2014 10:53  
 43837.DWG  
 43837.DWG

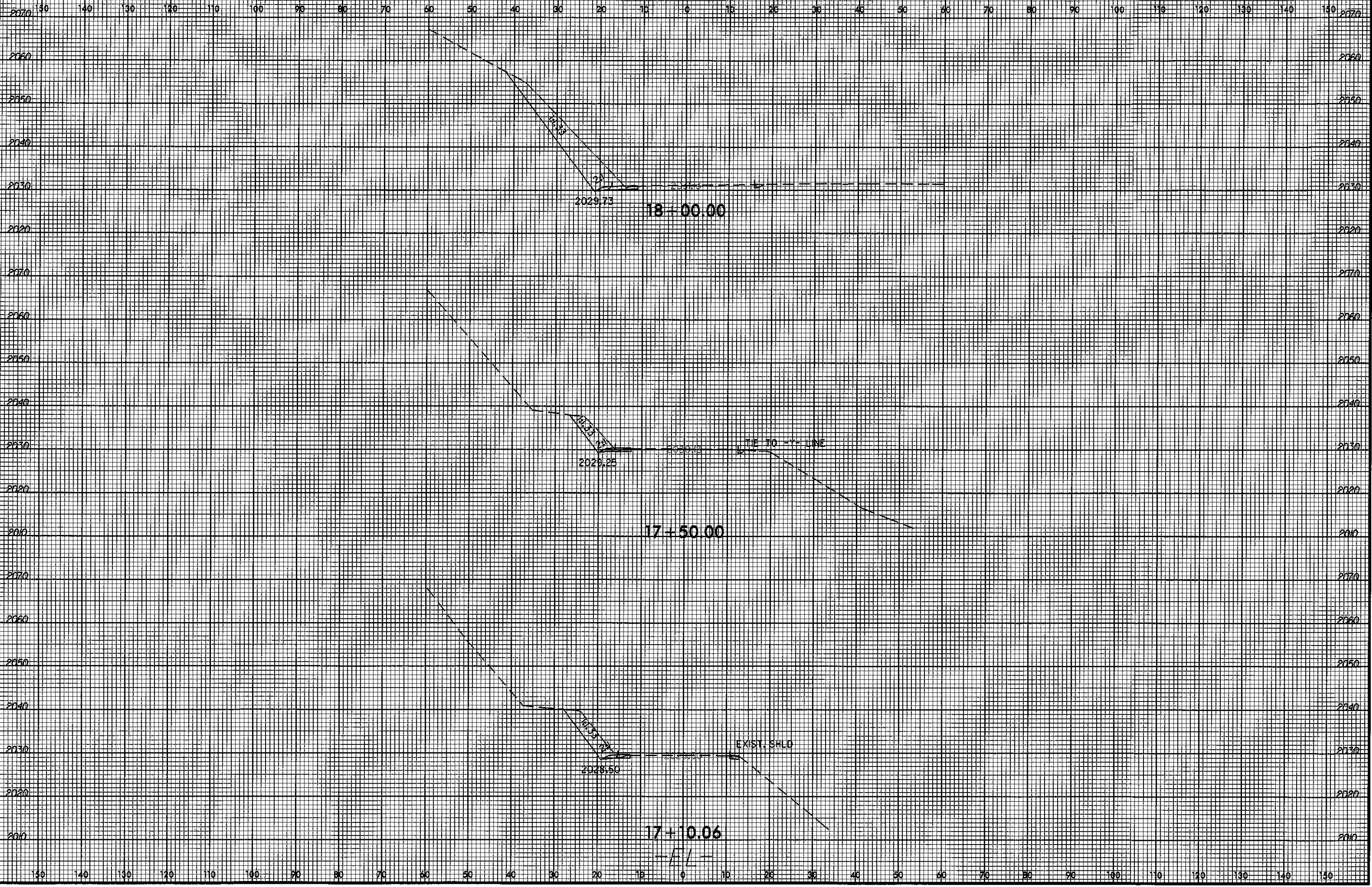
8/23/99



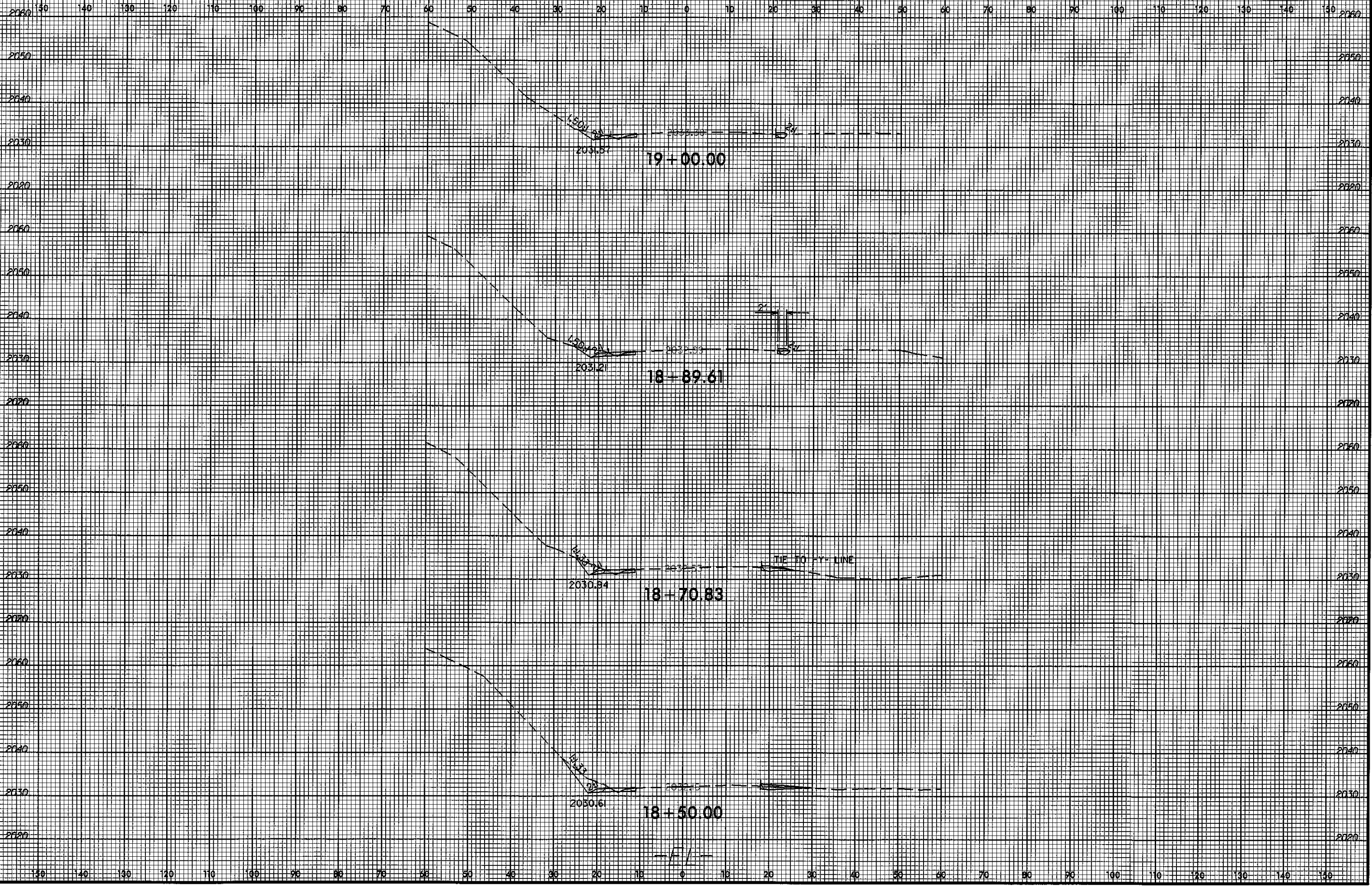
05-FEB-2014 15:27  
 R:\COUN\B\UNCOMBE\NCB1\NCB1.ddc\_xpl.e1.dgn  
 \$\$\$USERNAME\$\$\$



8/23/99



8/23/99

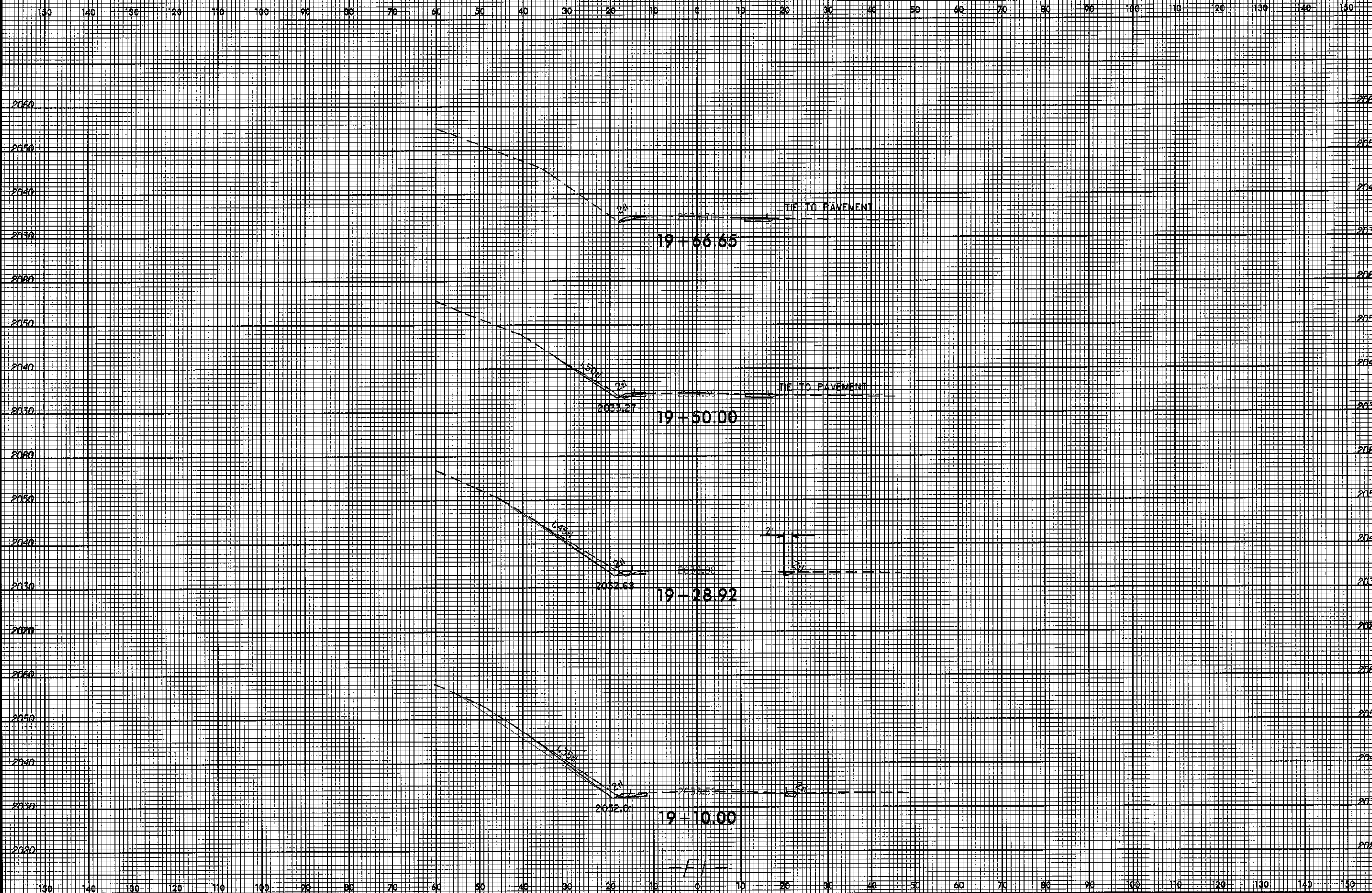


05-FEB-2014 15:27  
 R:\Covisa\Bugscombe\NC81\NC81.dwg xp1.e1.dgn  
 \$\$\$USER\$NAME\$\$\$

8/23/99



PROJ. REFERENCE NO. 43837	SHEET NO. X-5
------------------------------	------------------



05-FEB-2014 15:27  
 R:\PROJECTS\BUDGET\BUDGET\NCR1.ddc\_xpl.e1.dgn  
 \$\$\$USERNAME\$\$\$





